

## YF16BSV40



### Product Description

BKV "BSV" Model Pressure sustaining control valves are designed to keep inlet pressure stable. When system pressure is higher than the adjustment pressure, inlet pressure is kept stable by opening the valve. Without being affected by pressure waves, it keeps the inlet pressure stable. It is assembled in the outlet of filtration systems and provides effective backwashing-flushing of the filtration system.

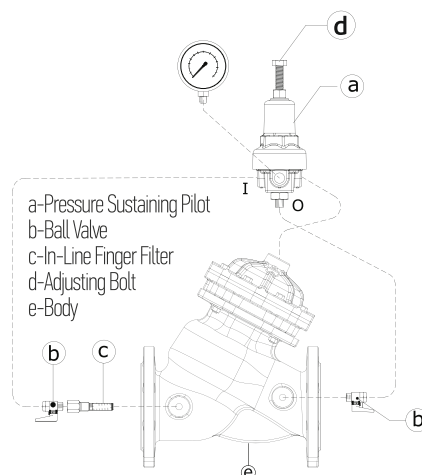
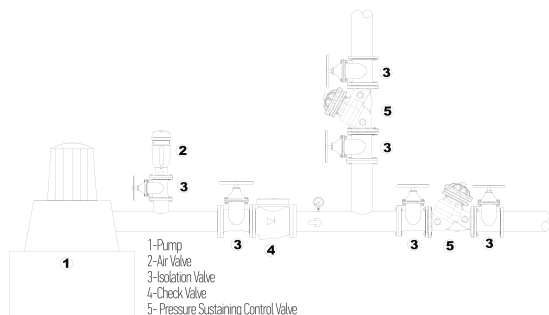
### Assembly

1. Valve can be assembled horizontally or vertically.
2. Valve must be on the same level with mainlines during installation.
3. Install the valve on direction with arrow shown on the valve.
4. Isolation valves (gate valve, butterfly valve, silt trap etc.) could be installed before or after the installation.

### Maintenance

1. Check the finger filter located on valve inlet and adjusts it accordingly with the quality of water. Unless the water is really dirty, do not clean the filter more than a few times a month.
2. Check inlet pressure value periodically and check valve performance.

### Typical Application



### Adjustment

- Step 1: Turn on the pump or turn on the mains main valve and give water to the system.
- Step 2: Loose the adjusting bolt (b) located on the pilot valve (a) thoroughly.
- Step 3: Leave the water flow into the system
- Step 4: By using the adjusting bolt (b) located on the pilot valve [a] adjust the inlet pressure to the preset desired level. (Tighten; Screw the bolt until you get the required inlet pressure)
- Step 5: Inlet pressure is increased when adjusting bolt is tightened, and is reduced when loosened.

### Technical Characteristics

- 1.No need for extra energy by running on pressure network
- 2.Easy and zero adjustment to demanded pressure
- 3.Pressure reduction without being affected by pressure and flow changes in network
- 4.Easy maintenance
- 5.Low Cavitation risk

### Order Information

Please provide the following information below:

- 1.Maximum flow rate:  $m^3/h$ .
- 2.Maximum network/line pressure: bar.
- 3.Main line size: mm.
- 4.Valve connection type: -----

Availble Valve Sizes	1 1/2"	2"	2 1/2"	3"	4"	5"	6"	8"	10"	12"	14"	16"	18"	20"
Product Code	YF16BSV 40	YF16BSV 50	YF16BSV 65	YF16BSV 80	YF16BSV 100	YF16BSV 125	YF16BSV 150	YF16BSV 200	YF16BSV 250	YF16BSV 300	YF16BSV 350	YF16BSV 400	YF16BSV 450	YF16BSV 500