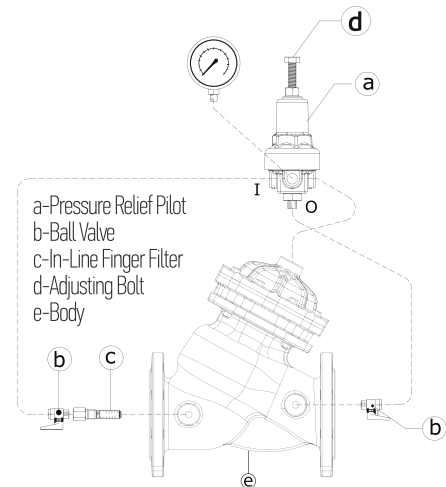


## YF16BTW40



### Product Description

BKV "BSV" Model Pressure sustaining control valves are designed to keep inlet pressure stable. When system pressure is higher than the adjustment pressure, inlet pressure is kept stable by opening the valve. Without being affected by pressure waves, it keeps the inlet pressure stable. It is assembled in the outlet of filtration systems and provides effective backwashing-flushing of the filtration system.

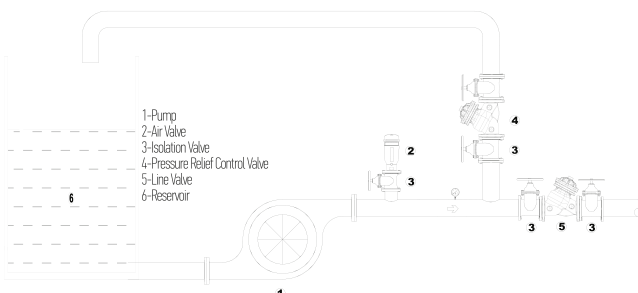
### Assembly

- 1.Valve can be assembled horizontally or vertically.
- 2.Valve must be on the same level with mainlines during installation.
- 3.Install the valve on direction with arrow shown on the valve.
- 4.Isolation valves (gate valve, butterfly valve, silt trap etc.) could be installed before or after the installation.
- 5.Valve should be installed on the waterline in a "T" shaped connection.

### Maintenance

- 1.Check the finger filter located on valve inlet and adjusts it accordingly with the quality of water. Unless the water is really dirty, do not clean the filter more than a few times a month.
- 2.Check inlet pressure value periodically and check valve performance.

### Typical Application



### Adjustment

- 1.Step: Loose the adjusting bolt (d) located on the pilot valve(a) completely
- 2.Step: Turn on the pump in water system, leave the water flow into the system.
- 3.Step: Inlet pressure is increased when adjusting bolt is tightened, and is reduced when loosened.
- 4.Step: By using the adjusting bolt located on the pilot valve adjust the inlet pressure to the desired nominated value. ( Tighten the bolt until valve is closed fully )

### Technical Characteristics

- 1.Runs on main water pressure without needing additional energy
  - 2.Controlled waterline flow on curved systems
  - 3.Protection of the water system from excessive pressure
- Easy maintenance

### Order Information

Please provide the following information below:

- 1.Maximum flow rate:  $m^3/h$ .
- 2.Maximum network/line pressure: bar.
- 3.Main line size: mm.
- 4.Valve connection type: -----

Available Valve Sizes	1" DN40	2" DN50	2 1/2" DN65	3" DN80	4" DN100	5" DN125	6" DN150	8" DN200	10" DN250	12" DN300	14" DN350	16" DN400	18" DN450	20" DN500
Product Code	YF16BTW 40	YF16BTW 50	YF16BTW 65	YF16BTW 80	YF16BTW 100	YF16BTW 125	YF16BTW 150	YF16BTW 200	YF16BTW 250	YF16BTW 300	YF16BTW 350	YF16BTW 400	YF16BTW 450	YF16BTW 500